

Haier
HVAC Solutions



NEBULA NORDIC

Low Ambient Heating Series

Haierhvac.eu

Discover the **NEBULA NORDIC** Air Conditioning Series

-30° C Heating and **A+++** energy rating, freeze prevention technology, and **self clean technology** for complete comfort.

A+++ / A++



The NEBULA NORDIC Air Conditioning range is available in 2.5kW - 5.0kW sizes, with energy efficiencies of A+++ / A++. It is packed with great market leading features such as integrated hOn Wi-Fi, Self-Clean function, 3D Air Flow, and Eco Sensor, for comfort, flexibility and high efficiencies.

The NEBULA NORDIC enables simple and easy cleaning of the unit thanks to the Self-Clean function that freezes the evaporator with moisture in the air and removes dirt during the defrost process, ensuring a clean and healthy air output. Airflow in the room is further enhanced through 3D Air Flow technology for even air distribution and comfort.

The range delivers heating even at extremely low -30°C temperatures, making the NEBULA NORDIC perfectly adapted to northern and mountain regions.

Features

ULTIMATE POWER

Our smart design driven by dedicated R&D enabled us to upgrade key components such as the compressor, fan and heat exchanger which significantly improved the heating efficiency to a stable A+++.

SMART DEFROSTING

Smart defrosting technology enables the NEBULA NORDIC to operate smoothly under low ambient temperatures. Defrosting under an impressive -30° outdoor ambient temperature.



-30°C Heating



Freeze-Prevention
Technology



Double O
shaped Valve



Compressor
Preheating Technology



NEBULA NORDIC

Residential Mono-Split Inverter

2,5 kW

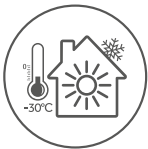
3,5 kW

5,0 kW

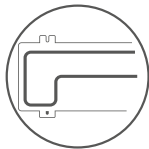
A+++ / A++



Features



-30°C Heating



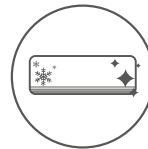
Freeze-Prevention Technology



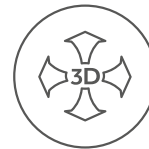
Compressor Preheating Technology



10°C Start



Self-Clean



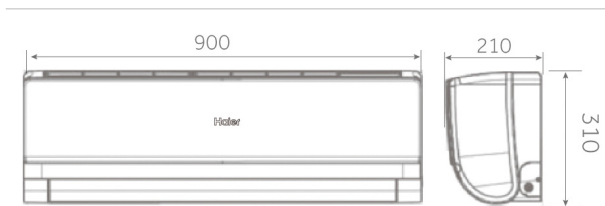
3D



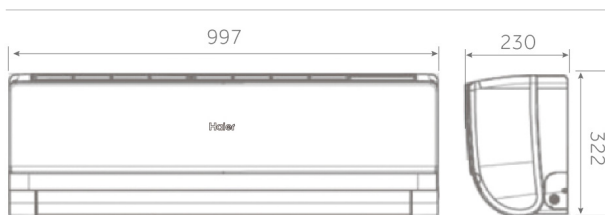
Integrated control WiFi

Technical Illustrations

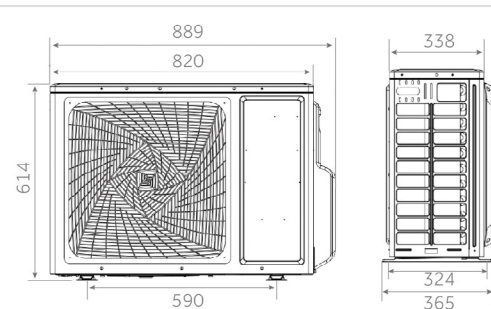
AS25 - AS35



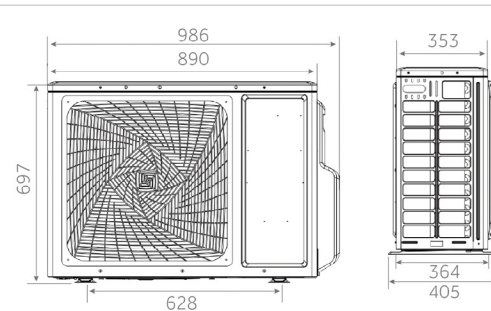
AS50



1U25 - 1U35



1U50



Outdoor Unit



2,5 kW



3,5 kW



5.0 kW

Controller



Standard YR-HQ

INDOOR UNIT			Model	AS25S2SN1FA-NRC	AS35S2SN1FA-NRC	AS50S2SN1FA-NRC
OUTDOOR UNIT			Model	1U25S2SQ1FA-NR	1U35S2SQ1FA-NR	1U50S2SQ1FA-NR
Performance data						
Output power - COOLING	nom (min-max)	kW		2,60 (0,80-3,90)	3,50 (1,00-4,50)	5,20 (1,40-7,00)
Output power - HEATING	nom (min-max)	kW		3,60 (0,80-6,30)	4,50 (1,00-6,60)	6,00 (1,50-8,00)
Absorbed power - COOLING	nom (min-max)	kW		0,600 (0,20-1,30)	0,972 (0,30-1,40)	1,440 (0,50-2,25)
Absorbed power - HEATING	nom (min-max)	kW		0,837 (0,40-2,20)	1,184 (0,40-2,35)	1,578 (0,60-3,00)
Energy class	EER	W/W		4,33	3,60	3,61
	COP	W/W		4,30	3,80	3,80
COOLING Pdesign	35 °C	kW		2,60	3,50	5,20
HEATING Pdesign	(-10 °C)	kW		3,60	4,00	5,20
Energy class	SEER			8,50 (A+++)	7,80 (A++)	7,40 (A++)
	SCOP			4,60 (A++)	4,60 (A++)	4,60 (A++)
Annual Energy Consumption - COOLING		kWh/a		107	157	246
Annual Energy Consumption - HEATING		kWh/a		1095	1217	1582
Indoor Unit						
Power supply		Ph/V/Hz		1/220-240/50	1/220-240/50	1/220-240/50
Treated air volume	H	m ³ /h		650	700	900
Dehumidification		L/h		1,2	1,6	2,0
High sound power - COOLING		dB		54	56	57
High sound power - HEATING		dB		55	57	58
Sound pressure - COOLING		dB(A)		35/30/25/20	38/33/29/22	41/37/33/28
Sound pressure - HEATING		dB(A)		36/31/26/20	39/34/30/23	42/38/34/29
Net dimensions	WxDxH	mm		900x210x310	900x210x310	997x230x322
Packaging dimensions	WxDxH	mm		991x313x399	991x313x399	1085x329x403
Net/gross weight		kg		11,5/14,0	11,5/14,0	13,0/16,0
Outdoor Unit						
Power supply		Ph/V/Hz		1/220-240/50	1/220-240/50	1/220-240/50
Power cable		N x mm ²		3 x 1,5	3 x 1,5	3 x 2,5
Interconnection cable		N x mm ²		4 x 1,0	4 x 1,0	4 x 1,0
Sound power	H	dB		59	61	65
Sound pressure	H	dB(A)		47	48	53
Running current cooling/heating	Max	A		10,6/10,6	10,8/10,8	13/13
Starting current cooling/heating	Max	A		1,5/1,5	1,5/1,5	2,0/2,0
Net dimensions	WxDxH	mm		820x338x614	820x338x614	890x353x697
Packaging dimensions	WxDxH	mm		993x413x685	993x413x685	1046x460x780
Net/gross weight		kg		38,5/42,0	38,5/42,0	45,5/49,5
Compressor type				Rotary inverter	Rotary inverter	Rotary inverter
Installation data						
Refrigerant				R32	R32	R32
Liquid pipe	∅	mm (inch)		6,35 (1/4)	6,35 (1/4)	6,35 (1/4)
Gas pipe	∅	mm (inch)		9,52 (3/8)	9,52 (3/8)	12,70 (1/2)
Standard pipe length without refrigerant charge		m		7	7	7
Maximum pipe length		m		20	20	25
Maximum IU - OU elevation		m		10	10	15
Refrigerant charge in the factory		kg		1,00	1,00	1,20
Refrigerant charge in the factory		TCO _{2eq}		0,68	0,68	0,81
Additional ref. charge over std length		g/m		20	20	20
Operating limits - COOLING (in/out)	min-max	°C		21-35°C/-5-43°C		
Operating limits - HEATING (in/out)	min-max	°C		10-27°C/-30-24°C		

Haier
HVAC Solutions



NEBULA NORDIC



Haier HVAC
European HQ

Via Marconi, 96. 31020
Revine Lago (TV) - Italy
haierhvac.eu